

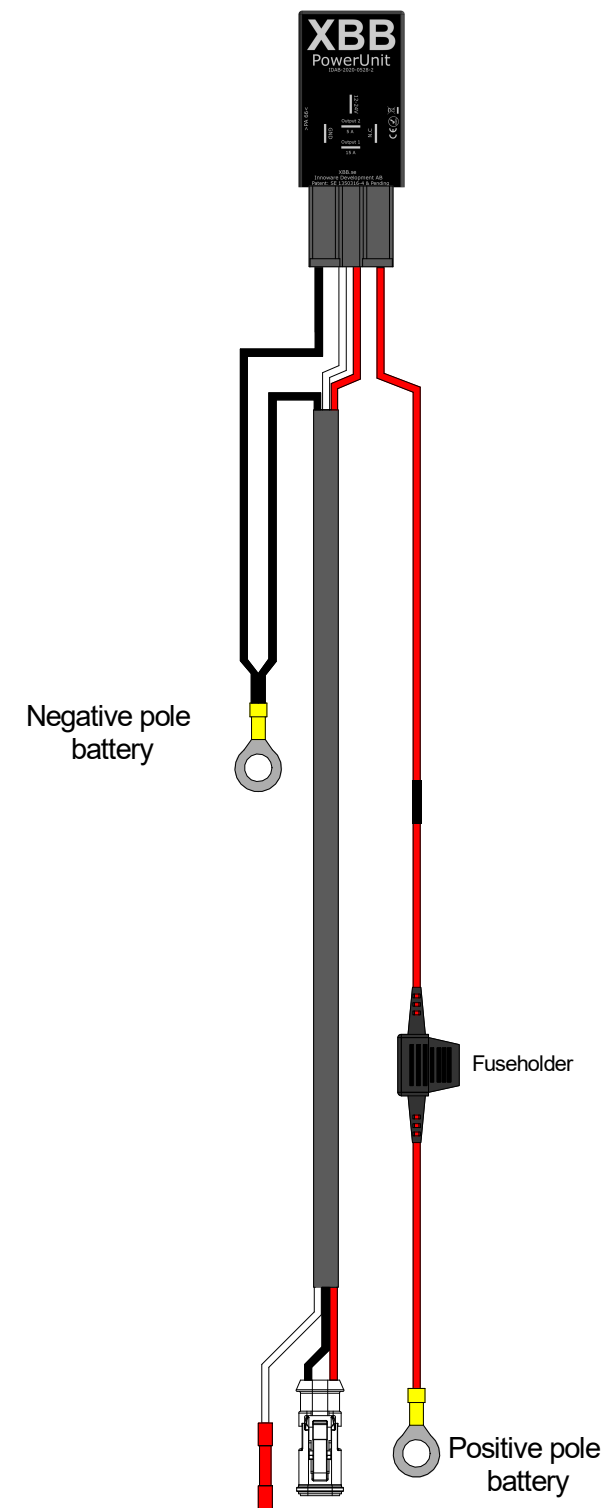
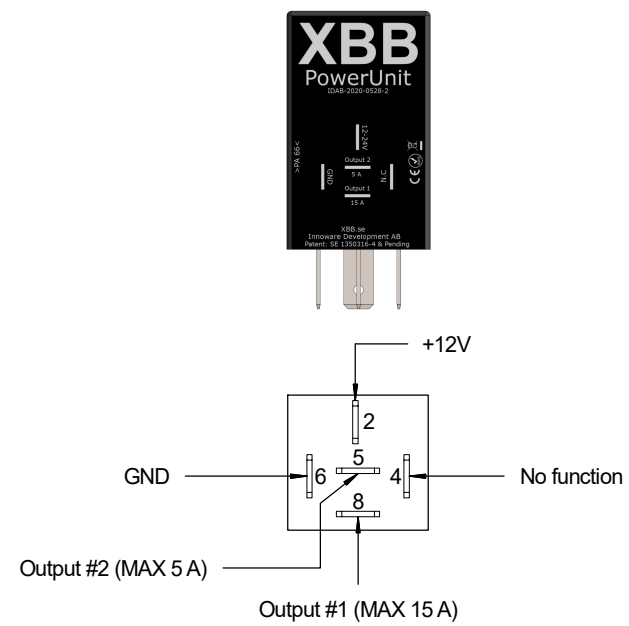
**Mounting direction:**


A very important step is the placement and mounting direction of the XBB PowerUnit™. When installing XBB PowerUnit™ in the engine compartment it is very important to mount the XBB PowerUnit™ with the socket pointing downwards. XBB PowerUnit™ has IP 53 protection only when mounted with the socket downwards.

**Note!**

Avoid using water to wash the surrounding parts and XBB PowerUnit™. If you must use water or pressure washer, please remove XBB PowerUnit™ from the relay socket before using water.

Placement from the XBB Dongle™ should be as short as possible. Even though both XBB PowerUnit™ and XBB Dongle™ have a relatively high output power, the signal can be disturbed due to encapsulation depending on vehicle construction and/or damping materials.



		Innoware Development AB Hyttvägen 13 733 38 SALA	
FILENAMN SCHEMANAMN	DATO RIT	2021-02-04 JB	Ver 1.0 SCHEMANUMMER